

35

3552

RAST 2.5 connectors, pitch 2.5/5.0 mm



RAST 2.5 pin header, with locking latch and positioning  
spigot  
contact pitch 5.0 mm

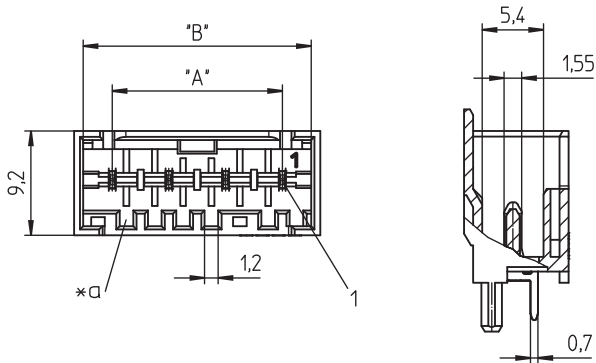
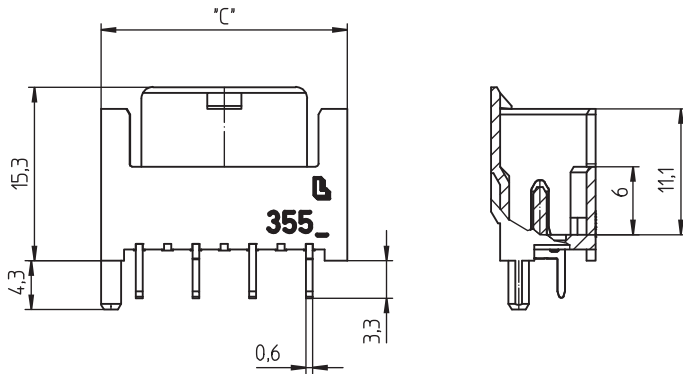
---

Approvals:



35

3552



### Environmental conditions

Temperature range -40 °C/+120 °C<sup>1</sup>

<sup>1</sup> upper limit temperature (insulating body) RTI (electrical) of the UL Yellow Card

### Materials

Insulating body PA GF, V-0 according to UL94<sup>1</sup>  
Contact pin CuZn, pre-nickel and tin-plated – 3552  
CuZn, pre-nickel and silver-plated – 3552 V04

<sup>1</sup> component glow wire resistant (GWT 750 °C), testing acc. to IEC 60695-2-11, assessment acc. to IEC 60335-1 (flame < 2 s)

### Mechanical data

Keying proposals at [www.lumberg.com](http://www.lumberg.com) 

### Electrical data (at T<sub>amb</sub> 20 °C)


Rated current 6 A (T<sub>amb</sub> 85 °C, VDE)  
2 A (T<sub>amb</sub> 120 °C, VDE/cULus)  
10 A (T<sub>amb</sub> 70 °C, VDE/ULus) – 3552 V04 2-5 poles  
7 A (T<sub>amb</sub> 70 °C, cUL) – 3552 V04 2-5 poles  
Rated voltage 400 V AC (VDE)  
250 V AC (cULus)  
400 V AC – 3552 V04  
Material group IIIa (IEC)/2 (UL) (CTI ≥ 250)  
Creepage distance 4,4 mm  
Clearance 4,4 mm  
Insulation resistance > 1 GΩ

### Associated products


Counterparts

 3523

 3523-2

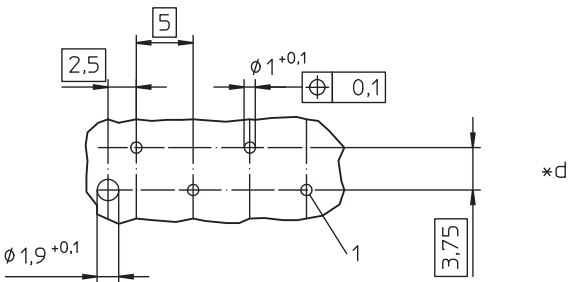
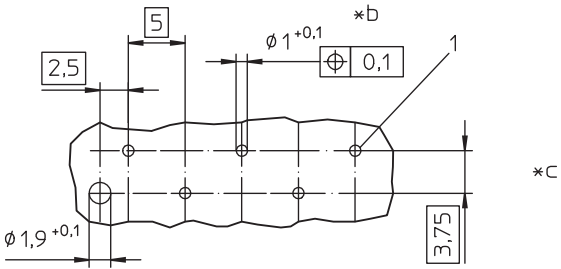
 352300

 3570

 357000

35

3552



\*a keying

\*b printed circuit board layouts, solder side view

\*c uneven pole numbers

\*d even pole numbers

35

3552

Designation	Pole Number	PU (Pieces)	MDQ (Pieces)	Dimensions		
				A (mm)	B (mm)	C (mm)
3552 02	2	1000	2000	5	10.1	11.7
3552 03	3	1000	2000	10	15.1	16.7
3552 04	4	500	2000	15	20.1	21.7
3552 05	5	500	2000	20	25.1	26.7
3552 06	6	250	2000	25	30.1	31.7
3552 07	7	250	2000	30	35.1	36.7
3552 08	8	250	2000	35	40.1	41.7
3552 09	9	250	2000	40	45.1	46.7
3552 10	10	250	2000	45	50.1	51.7

Designation to be completed by further details (e.g. for keying, color or material options).

**Packaging:**

in bulk, in a cardboard box